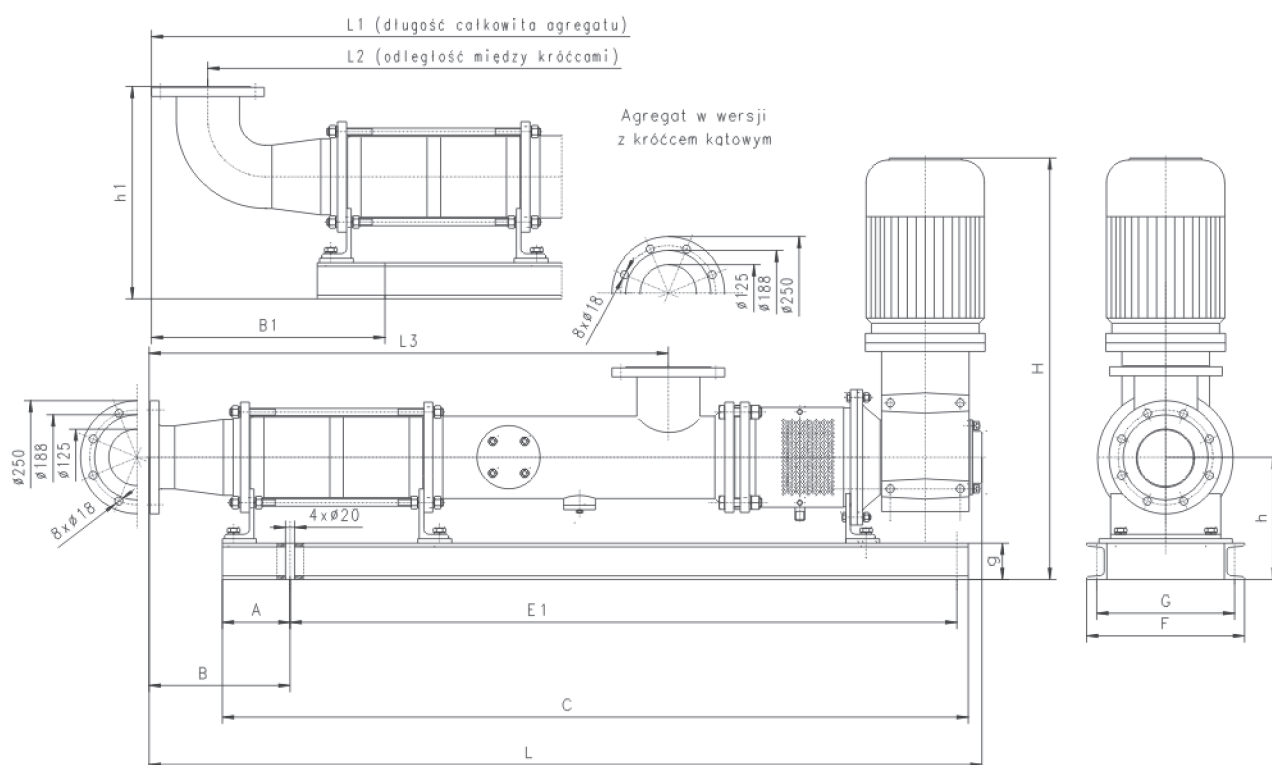


POMPA 80 PSRM MONOBLOK
PUMP 80 PSRM MONOBLOK


Wykonanie Version	Motoreduktor Motoreducer				Masa Weight [kg]
	Typ Type	[kW]	[1/min]	[V]	
1	GKS07-3M HAK 132-21	9,2	491	400	225
2	KAF87 DRS160MC4	15	204	400	194

Motoreduktor Motoreducer	L	L ₁	L ₂	A	B	B ₁	C	E ₁	F	G	H	h	h ₁	g
GKS07-3M HAK 132-21	1850	2060	1233	150	310	397	1650	1475	350	305	932	270	470	80
KAF87 DRS160MC4	1889	2100	1233	150	310	397	1650	1475	350	305	1010	290	490	80